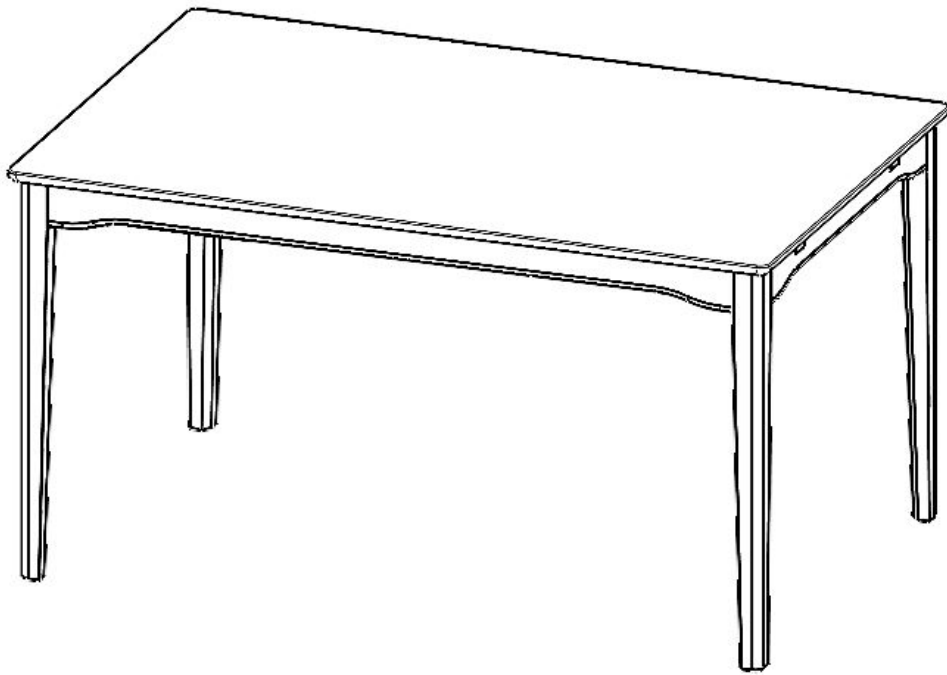


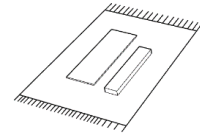
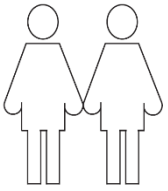
ASSEMBLY INSTRUCTION

MARKHAM DINING TABLE 140

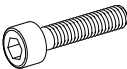

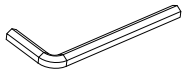



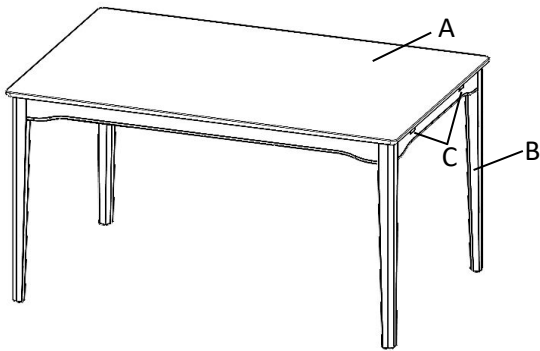
ROWICO

H O M E

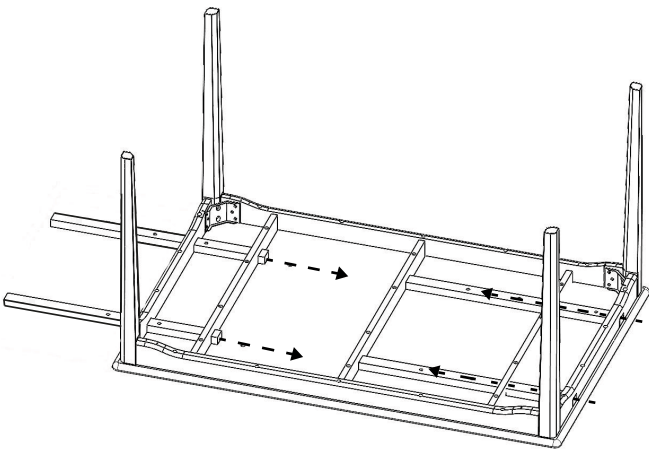


List of part		
	Description	N.o of pcs
A	Bordstopp/Table top	1
B	Bordsben/Table legs	4
C	Utdragsregel / Extension rail	4

List of hardware		
	Description	N.o of pcs
a	 Hex bolt M8x30	8
b	 Washer Ø16/ Ø9	8
c	 Allen key N.o 6	1
d	 Wooden dowel Ø8x30	4



Step 1



Step 2

